



Architectural Aluminium Systems.

*"Committed to building excellence"*



**DTS-60 Extreme Performance Window Systems.**

## Scope

The Altec DTS-60 window range offers a wide and diverse choice of profiles that will provide the highest quality aluminium windows with optimum weather performance, thermal enhancement and security.

High thermal ratings are achieved using our patent pending thermal in-line barriers. This ground breaking thermal barrier achieves un-paralleled U-values compared to conventional aluminium windows. U-values as low as 1.0 W/m<sup>2</sup>K can be achieved complying with Document L for thermal transmittance.

DTS-60 windows conform to the latest standards BS 6375 Part 1:2009 (Weather Testing) and PAS 24:2012 (Enhanced Security Performance Requirements for Doorsets and Windows)

The window systems are available in a variety of different types and styles, including fixed lights, top and side hung casements, tilt and turn and bottom hung open in opening vents.

Fully compatible with the complete range of Altec's other glazing systems. Also compatible with "secure by design" multi-point locking hardware. For added security

The DTS-60 windows comply with current legislation and in accordance with BS:4873:2004. "The specification for aluminium windows."



## Performance & Product Key Features

WER	System can achieve a Window Energy "+A" Rating
U Value	1.0W/m <sup>2</sup> K (depending on configuration and glass specification) <sup>(1)</sup>
Document L	Compliant
Security	BS 7950:1997 & PAS 24:2012. Enhanced Security Performance as generally accepted by Secure by Design Projects.
Weather	BS 6375 Part 1: 2009
Air	Class 4, 600Pa
Water	Class 9A, 600Pa
Wind	Class C5, 2000Pa
Construction.	Can be fabricated by traditional crimping or mechanical corner joints.
Finish	Single or Dual Colour, polyester powder coat. Optional Marine grade available. <sup>(2)</sup>
Glazing.	28mm Double Glazed Units can be used across the whole range.
Applications	Designed for new builds and refurbishment projects.
Frame Depth	60mm and 70mm
Sustainability	The DTS-60 aluminium profiles are 100% recyclable and can be recycled an infinite number of times with no loss in its capability.
Hardware	A standard hardware groove is fitted to all DTS-60 windows to ensure a cost effective hardware solution. This includes multi-point espagnolette locking and key locking handles for added security. Other hardware as folded openers and restrictors can be easily fitted.
Ventilation.	Slimline trickle ventilation can be fitted to comply with the requirements of document F.



# Casement Product Selector.

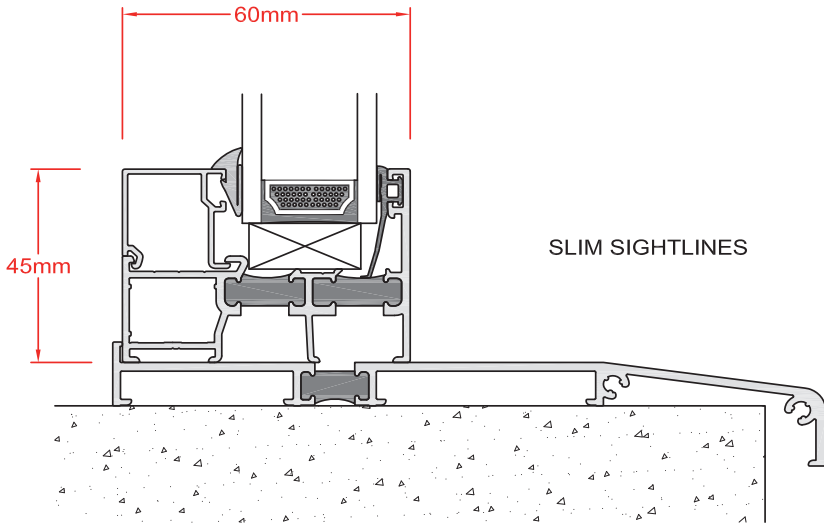
Performance	DTS-60e	DTS-60e Plus	DTS-60i	DTS-60i Plus
Weather Performance (BS 6375)	●	●	●	●
Security to BS7950: PAS 24 °	○	○	●	●
Typical U Value <sup>1</sup>	1.51	1.29	1.53	1.3
Document L Compliant	●	●	●	●
Window Energy Rating	'C'	'A'	'C'	'A'
<b>Design Features</b>				
Multi-Point Locking	●	●	●	●
Lockable Handles	●	●	●	●
Friction Stays	●	●	●	●
Butt Hinges	●	●		
Trickle Ventilation	●	●	●	●
Night Ventilation	●	●	●	●
Lockable Handles	●	●	●	●
Cockspur Handles	●	●	●	●
Folding Openers	●	●	●	●
100mm Restrictors	●	●	●	●
Standard Hardware Groove	●	●	●	●
Internally Beaded			●	●
Externally Beaded	●	●		
Powder Coated Finish – Marine Guarantee <sup>2</sup>	●	●	●	●
Dual Colour	●	●	●	●
<b>Maximum opening vent sizes</b>				
Projected Top Hung Vent <sup>3</sup>	1200mm x 1500mm or 50Kgs Sash Weight		1500mm x 1500mm or up to 180Kgs Sash Weight	
Projected Side Hung Vent <sup>3</sup>	700mm x 1300mm		850mm x 1300mm	
Top Hung using Butt Hinges	2000mm x 900mm			
Side Hung using Butt Hinges	900mm x 1600mm			

- 0 Secure by Design Multi-locking espagnolettes can be fitted for added security to DTS-60e range.  
 1 Calculated using EN ISO 10077-1:2000 standard, with Planitherm One, Argon Fill and SSU spacer bar. 28mm DGU.  
 2 PPC Marine guarantee or extended warranty must be applied for at order stage.  
 3 Recommended sizes using Altec Heavy Duty Hinges.

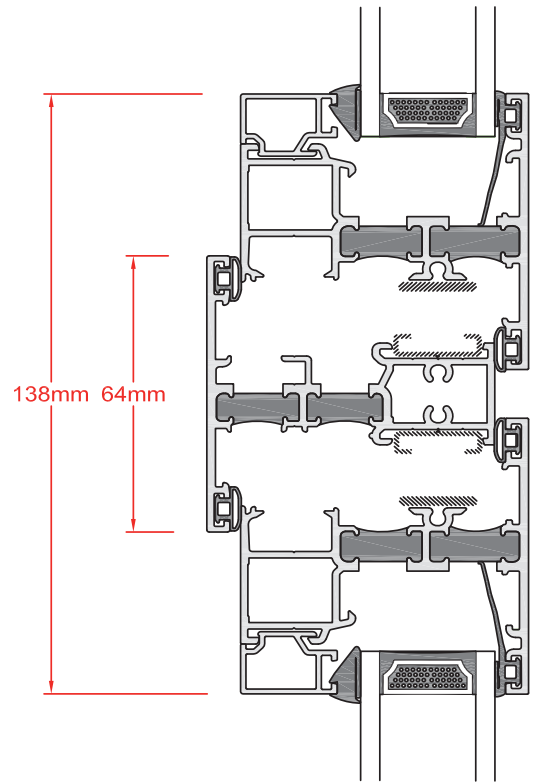


# CROSS SECTION DETAILS

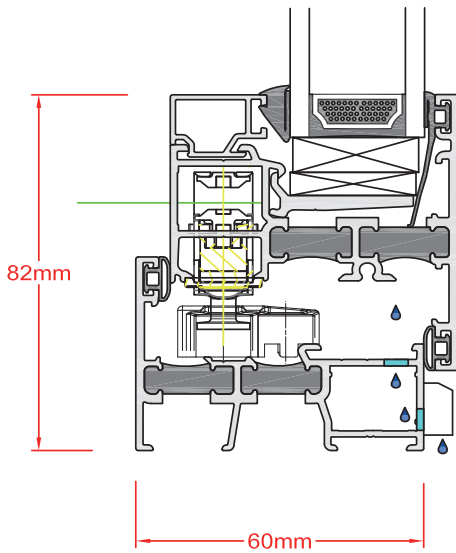
FIXED LIGHT  
STANDARD CILL DETAIL



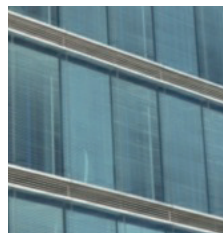
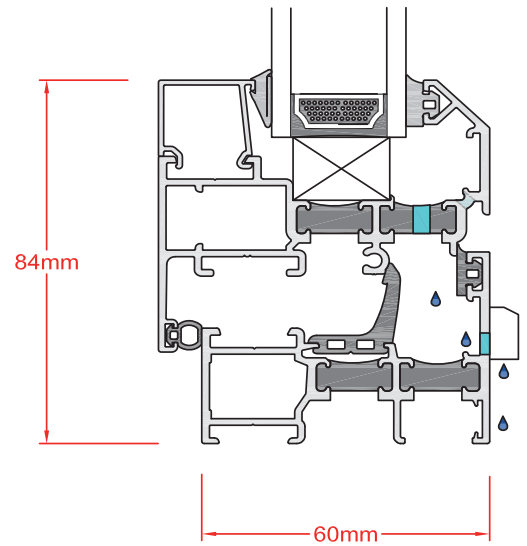
MULLION DETAIL  
With FRICTION STAYS



OPENING CASEMENT with MULTI LOCKING



TILT 'N' TURN



Architectural

Altec 'Architectural Aluminium' Systems Ltd

Powys House, Bailey Court, Felinfach, Swansea West Business Park, Swansea, SA5 4DE.

Telephone: +44 (0) 1656 611010

sales@altecsystems.co.uk

www.altecsystems.co.uk